



## **Important safety and warning information**

This manual contains the most important safety and warning information for replacing the battery.

Please read this information thoroughly before you begin the replacement process.

### **Important safety note**

The OSKAR SV-1000 contains a lithium battery. Lithium batteries can catch fire or explode if damaged. Never crush, bend, puncture, or drop the battery.

### **Before replacing the battery**

Switch off the device completely and disconnect it from the charging station. Fully discharge the battery before removing it. Only work on a clean, dry, and non-flammable surface. Keep children and pets away from the work area.

### **Stop replacement immediately**

If the battery is swollen, damaged, or deformed. If there is an unusual odor, leakage of liquid, heat, or smoke. In this case, do not touch the battery and do not reinstall it.

### **Replacement battery**

Only use a compatible battery for the OSKAR SV-1000. The use of unsuitable batteries can lead to damage or safety risks.

### **After replacing the battery**

Reassemble the device completely. Switch on the device and check that it is working properly. If the device behaves unusually, do not continue to use it.

### **Disposal**

The old battery must not be disposed of with household waste. Take the battery to an official collection point or a retailer.

### **Important warning**

If you feel unsure or encounter problems during replacement, do not continue with the battery replacement and contact customer service or a qualified service partner.

## 1. Preparation

1. Fully discharge the battery
2. Turn on the device and let it run until it switches to standby mode
3. Repeat the process until the device no longer turns on

## 2. Remove the speaker cover

1. Device orientation Hold the OSKAR so that the carrying handle is facing left.
2. Remove the cover: Use a plastic spatula or similar tool and insert it between the rubber cover and the fabric-covered speaker cover.
3. Lever the cover evenly away from the housing all around.
4. Repeat the process on several sides if necessary.
5. Do not damage the fabric covering!



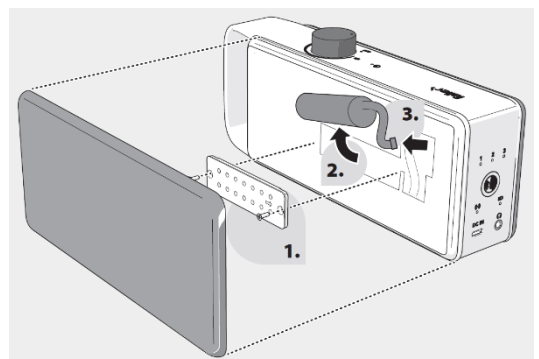
## 3. Removing the old battery

1. Use a Phillips screwdriver (Phillips PH1) to loosen the two screws on the battery cover.
2. Carefully pull the battery out of the housing.
3. Disconnect the plug connection.



## 4. Inserting the new battery

1. Connect the new battery to the plug contact
2. Place the battery flush into the compartment
3. Replace the battery cover and secure it with the two screws
4. Press the speaker cover firmly until it clicks into place



## 5. Disposal of the old battery

The battery must NOT be disposed of with household waste!

Dispose of it at a certified collection point, a specialist retailer, or via the manufacturer.

## 6. Completion and functional test

1. Assemble the device completely
2. Switch on the device and check:
  - Does it start up normally?
  - Are the LED indicators on the base and speakers present?
  - Are there any unusual noises, smells, or heating?
    - If you notice anything unusual, do not continue to use the device → contact customer service